

# HOTWASHER

by  rozone

## AQUEOUS SPRAY WASH SYSTEMS FOR FASTER, MORE POWERFUL CLEANING ACTION

The combined action of temperature, pressure and chemical action. Cleans and dries parts thoroughly, providing an entirely automatic, cost effective and safe cleaning process.

 **POWERFUL CLEANING**

 **TIME SAVING**

 **SAFE FOR USERS**



CONSCIOUSLY CLEANED PARTS



BEFORE



AFTER

**SMALL AUTOMATIC** | For small to medium sized parts & components



This range offers the optimal system for cleaning small to medium sized mechanical parts and components. A total clean is achieved via upper, lower and side spray nozzles and the slow rotation of the basket, driven by a gear motor with a torque limiter. The switchboard is electrically operated allowing for both the temperature and length of cleaning cycle to be set by the Operator. We offer a wide range of accessories with an optional reinforced load capacity available at a surcharge.

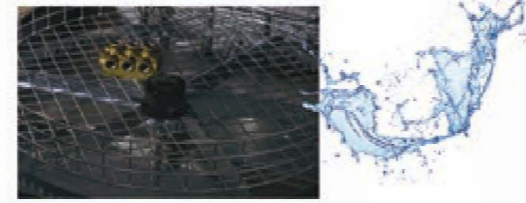
MODELS	WASHING CAPACITY	BASKET LOAD CAPACITY	TANK	POWER SUPPLY
R 60M	Ø 58 x H 38 cm	100 Kg	60L	SINGLE PHASE
R 80M	Ø 78 x H 43 cm	100 Kg	130L	SINGLE PHASE
R 60	Ø 58 x H 38 cm	100 Kg	60L	3 PHASE
R 80	Ø 78 x H 43 cm	100 Kg	130L	3 PHASE

**ATA GLANCE**

- VERSION: LT (heating up to 60°C)
- TANK QUANTITY: Single tank
- SPRAY WASHING
- CONTROLS: Electromechanical
- AREAS OF APPLICATION: Maintenance & mechanical industry
- MOTORIZER ROTATION ON VERTICAL AXIS

**FEATURES**

- ▶ Basket in drawn sheet metal with external border in Aisi 304 stainless steel
- ▶ Reinforced basket in electrically welded mesh with external border in galvanized steel
- ▶ Hatch closure assisted with gas springs and fastening hook
- ▶ Aisi 304 stainless steel filter in pump intake
- ▶ Tank border gasket
- ▶ Structure and sheet metal in contact with liquid in Aisi 304 stainless steel
- ▶ Minimum level switch
- ▶ Safety limit switch on cover opening
- ▶ Stainless steel electric pump with special seals
- ▶ IP65 electrical system, electromechanical controls
- ▶ Heating of the liquid with stainless steel electric heating element
- ▶ Mechanical rotation of basket via gearmotor
- ▶ Internal welding bleaching
- ▶ Intake and delivery pump hose (easy maintenance)
- ▶ Aisi 304 stainless steel washing pipelines with professional stainless steel flat nozzles
- ▶ Drain valves for emptying tanks
- ▶ Manual water filling valve



TECHNICAL DATA	R 60M	R 80M	R 60M	R 80M
Load capacity	100 kg	100 kg	100 kg	100 kg
Tank 1 capacity	60 lt	130 lt	60 lt	130 lt
Pump 1	0,55 kW 2,5 bar 120 lt/min	0,55 kW 2,5 bar 120 lt/min	0,55 kW 2,5 bar 120 lt/min	0,55 kW 2,5 bar 120 lt/min
High pressure pump 1	2,2 kW 6 bar 180 lt/min	2,2 kW 5 bar 180 lt/min	2,2 kW 5 bar 180 lt/min	2,2 kW 5 bar 180 lt/min
Heating tank 1	3 kW	3 kW	4 kW	4 kW
Motor for parts rotation	0,09 kW	0,09 kW	0,09 kW	0,09 kW
Steam extractor	0,09 kW 70 Nmc/h	0,09 kW 70 Nmc/h	0,09 kW 70 Nmc/h	0,09 kW 70 Nmc/h
Disk oil separator	0,09 kW	0,09 kW	0,09 kW	0,09 kW
Compressed air blowing	95 Nmc/h @4 bar	105 Nmc/h @4 bar	95 Nmc/h @4 bar	105 Nmc/h @4 bar
Power supply	0,37 kW	0,37 kW	0,37 kW	0,37 kW
Tank emptying pump	Single-phase	Single-phase	Three-phase	Three-phase

DIMENSIONS & LAYOUT				
Width	92 cm	112 cm	92 cm	112 cm
Depth with opened machine	86 cm	105 cm	86 cm	105 cm
Height with opened machine	153 cm	185 cm	153 cm	185 cm
Working diameter	58 cm	78 cm	58 cm	78 cm
Washing height	38 cm	43 cm	38 cm	43 cm
Loading height	83 cm	92 cm	83 cm	92 cm
Tank width	64 cm	84 cm	64 cm	84 cm
Tank depth	64 cm	84 cm	64 cm	84 cm
Opening angle	80°	80°	80°	80°
Weight	85 kg	96 kg	85 kg	96 kg
Noise LT	75 dBa	75 dBa	75 dBa	75 dBa

CONNECTIONS				
Steam extraction	M 1" 1/2	M 1" 1/2	M 1" 1/2	M 1" 1/2
Tank liquid drain	F 1"	F 1"	F 1"	F 1"
Waste oil drain	M 1/2"	M 1/2"	M 1/2"	M 1/2"
Compressed air blower solenoid valve	F 1"	F 1"	F 1"	F 1"
Emptying pump	F 1"	F 1"	F 1"	F 1"
Cabin vent outlet	Ø50 mm	Ø50 mm	Ø50 mm	Ø50 mm

- ACCESSORIES**
- ▶ Compressed air blowing (fixed time 3')
  - ▶ Electric timed steam extraction
  - ▶ Basket in stainless steel Aisi 304
  - ▶ Disc oil separator integrated into basket rotation
  - ▶ Kit for use with abrasive contaminants in the washing liquid
  - ▶ Stainless steel fittings and valves kit (for parts that are in contact with liquids)
  - ▶ High pressure washing pump
  - ▶ Panels under the basket with cap filter for collecting grease and debris
  - ▶ Upper ramp fastened to the cover
  - ▶ Machine equipped with wheels for handling
  - ▶ Emptying pump

**MEDIUM AUTOMATIC** | For medium sized mechanical parts



For medium sized mechanical parts and components, these Hotwashers have a larger load capacity. Operators can set the length and temperature of each wash cycle via electromechanical controls on the switchboard. Upper, lower and side spray wash nozzles ensure a total clean. The rotating basket is driven by a gear motor. An optional reinforced load capacity is available at a surcharge along with a host of other accessories.

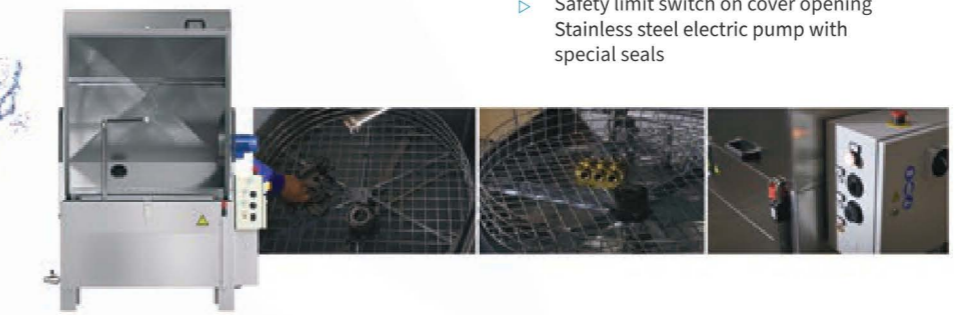
MODELS	WASHING CAPACITY	BASKET LOAD CAPACITY	TANK	POWER SUPPLY
R 100	Ø 95 x H 54 cm	200 Kg	210L	3 PHASE
R 120	Ø 117 x H 70 cm	300 Kg	270L	3 PHASE

**ATA GLANCE**

- VERSION: LT (heating up to 60°C)
- TANK QUANTITY: Single tank
- SPRAY WASHING
- CONTROLS: Electromechanical
- AREAS OF APPLICATION: Automotive / fleet / truck maintenance, mechanical engineering, swarf removal, foundries, moulding; hydraulic motor & pump maintenance; general maintenance
- MOTORIZER ROTATION ON VERTICAL AXIS

**FEATURES**

- ▶ Basket in drawn sheet metal with external border in Aisi 304 stainless steel
- ▶ Reinforced basket in electrically welded mesh with external border in galvanized steel
- ▶ Hatch closure assisted with gas springs and fastening hook
- ▶ Aisi 304 stainless steel filter in pump intake
- ▶ Tank border gasket
- ▶ Structure and sheet metal in contact with liquid in Aisi 304 stainless steel
- ▶ Minimum level switch
- ▶ Safety limit switch on cover opening
- ▶ Stainless steel electric pump with special seals
- ▶ IP65 electrical system, electromechanical controls
- ▶ Heating of the liquid with stainless steel electric heating element
- ▶ Mechanical rotation of basket via gearmotor
- ▶ Internal welding bleaching
- ▶ Intake and delivery pump hose (easy maintenance)
- ▶ Aisi 304 stainless steel washing pipelines with professional stainless steel flat nozzles
- ▶ Drain valves for emptying tanks
- ▶ Manual water filling valve

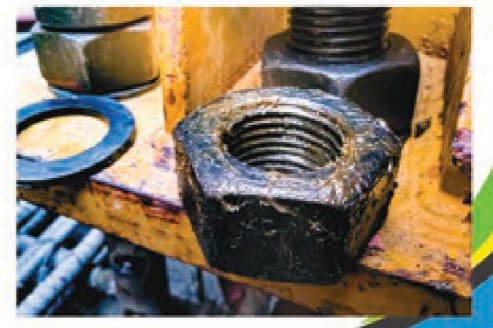
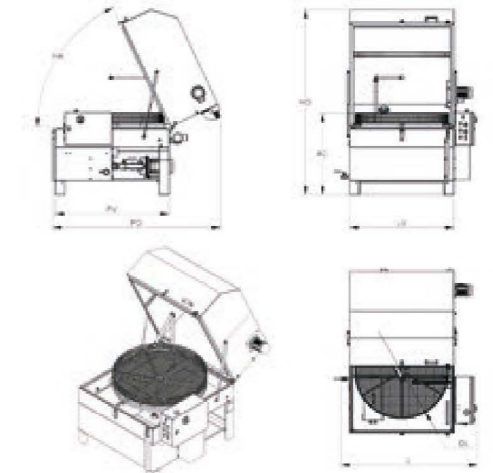


TECHNICAL DATA	R 100	R 120
Load capacity	200 kg	300 kg
Tank 1 capacity	210 lt	270 lt
Pump 1	1,5 kW 2,5 bar 200 lt/min	1,5 kW 2,5 bar 200 lt/min
High pressure pump 1	3,0 kW 6 bar 250 lt/min	3,0 kW 6 bar 250 lt/min
Heating tank 1	6 kW	6 kW
Motor for parts rotation	0,09 kW	0,09 kW
Steam extractor	0,09 kW 70 Nmc/h	0,09 kW 70 Nmc/h
Disk oil separator	0,09 kW	0,09 kW
Compressed air blowing	130 Nmc/h @4 bar	150 Nmc/h @4 bar
Power supply	0,37 kW	0,37 kW
Tank emptying pump	Three-phase	Three-phase

DIMENSIONS & LAYOUT		
Width	146 cm	166 cm
Depth with opened machine	175 cm	206 cm
Height with opened machine	191 cm	211 cm
Working diameter	97 cm	117 cm
Washing height	54 cm	70 cm
Loading height	67 cm	67 cm
Tank width	110 cm	130 cm
Tank depth	120 cm	135 cm
Opening angle	60°	60°
Weight	168 kg	202 kg
Noise LT	75 dBa	75 dBa

CONNECTIONS		
Steam extraction	Ø80 mm	Ø80 mm
Tank liquid drain	F 1"	F 1"
Waste oil drain	M 1/2"	M 1/2"
Compressed air blower solenoid valve	F 1"	F 1"
Emptying pump	F 1"	F 1"
Cabin vent outlet	Ø75 mm	Ø75 mm

- ACCESSORIES**
- ▶ Compressed air blowing (fixed time 3')
  - ▶ Electric timed steam extraction
  - ▶ Basket in stainless steel Aisi 304
  - ▶ Disc oil separator integrated into basket rotation
  - ▶ Kit for use with abrasive contaminants in the washing liquid
  - ▶ Stainless steel fittings and valves kit (for parts that are in contact with liquids)
  - ▶ High pressure washing pump
  - ▶ Panels under the basket with cap filter for collecting grease and debris
  - ▶ Upper ramp fastened to the cover
  - ▶ Machine equipped with wheels for handling
  - ▶ Emptying pump



**AMBIENT MANUAL JET SPRAY** | For small to medium sized parts & components

A low-pressure parts washer, ideal for the manual cleaning of parts with hard-to-reach areas. Using the power of pressure spray, components are safely cleaned inside a closed cabinet at ambient temperature.

Operators place parts inside the machine, close the cover, insert arms into the gloves and then press a foot pedal to make the spray pump work. A non-slip hand grip spray nozzle allows operators to clean parts thoroughly.

The JET P range is driven by compressed air and exclude a heater.

**EFFICIENT MANUAL CLEANING AT AMBIENT TEMPERATURES**



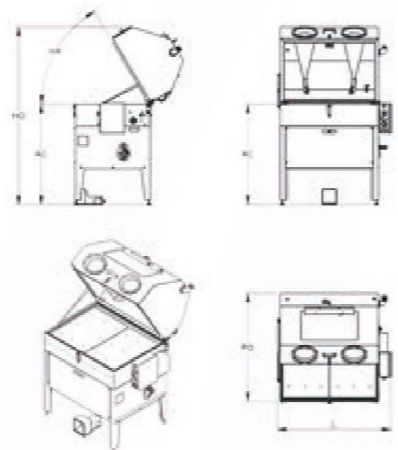
MODELS	WASHING CAPACITY	BASKET LOAD CAPACITY	TANK	POWER SUPPLY
JET 2P	70 x 55 x H45 cm	70 Kg	40L	SINGLE PHASE
JET 3P	95 x 70 x H45 cm	70 Kg	75L	SINGLE PHASE
JET 4P	120 x 80 x H45 cm	70 Kg	90L	SINGLE PHASE

**ATA GLANCE**

- VERSION** C (pressure 8 bar, heating up to 60°C)
- TANK QUANTITY** Single tank
- SPRAY WASHING**
- CONTROLS** Electromechanical
- AREAS OF APPLICATION** General maintenance, mechanical / aerospace industry, graphics industry and paint factories, electronics / chemicals industry, pharmaceutical industry

**FEATURES**

- Requires compressed air
- Hatch closure assisted with gas springs and fastening hook
- Black latex gloves 660 mm long
- Tank border gasket
- Structure and sheet metal in contact with liquid in Aisi 304 stainless steel
- Special washing nozzle with jet under pressure and non-slip grip
- Safety limit switch on cover opening
- Adjustable feet for height and stability
- Closing hatch with hoses and tempered glass
- Compressed air blowing gun
- Manually adjustable washing pressure
- Internal welding bleaching
- Intake and delivery pump hose (easy maintenance)
- Special ergonomic washing brush
- Drain valves for emptying tanks



TECHNICAL DATA	JET 2P	JET 3P	JET 4P
Load capacity	70 kg	70 kg	70 kg
Tank 1 capacity	40 lt	75 lt	90 lt
Pump 1	Nozzle 5 bar 2 lt/min Brush 2 bar 5 lt/min	Nozzle 5 bar 2 lt/min Brush 2 bar 5 lt/min	Nozzle 5 bar 2 lt/min Brush 2 bar 5 lt/min
Power supply	Pneumatic	Pneumatic	Pneumatic

DIMENSIONS & LAYOUT			
Width	92 cm	117 cm	142 cm
Depth with opened machine	66 cm	85 cm	95 cm
Height with opened machine	98 cm	111 cm	120 cm
Working diameter	160 cm	160 cm	160 cm
Washing height	170 cm	180 cm	190 cm
Loading height	70 x 55 cm	95 x 70 cm	120 x 80 cm
Tank width	45 cm	45 cm	45 cm
Tank depth	100 cm	100 cm	100 cm
Opening angle	60°	60°	60°
Weight	55 kg	75 kg	90 kg
Noise LT	75 dBa	75 dBa	75 dBa

- ACCESSORIES**
- Stainless steel cartridge filter (10/25/50 micron)
  - Machine equipped with wheels for handling
  - Increased loading capacity to 150 kg

"We operate a busy, fast-moving workshop. Our technician's time is at a premium. We needed a solution to clean multi-faceted parts quickly and without using solvents. Rozone listened and provided an automatic Hotwash machine that gives impressive cleaning results, passing stringent inspection tests." **- MOTORSPORT CUSTOMER**



**HOTWASHER**  
Elevate your parts cleaning with heat



**HEATED MANUAL JET SPRAY** | Impressive cleaning at higher temperatures

A manual parts washer with spray jet nozzle that delivers impressive cleaning at higher temperature. Ideal for removing stubborn contaminant from hard-to-reach areas of small to medium sized parts where inspection cleaning is required.

Cleaning is carried out safely using the gloves in the front of the closed cabinet. Excellent results are achieved through the combination of cleaning solution, heat and spray power. Fluid can be heated to up to 60°C and the spray nozzle is driven by an adjustable pressurised pump up to 80 bar.

**EFFICIENT MANUAL CLEANING AT HIGHER TEMPERATURES**



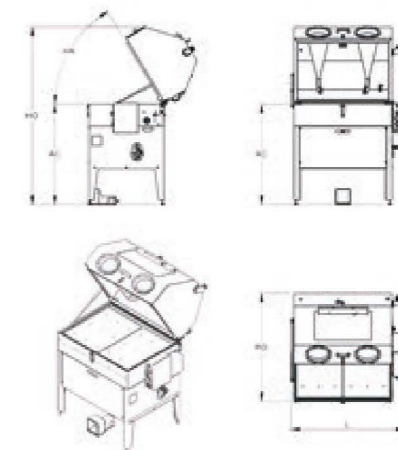
MODELS	WASHING CAPACITY	BASKET LOAD CAPACITY	TANK	POWER SUPPLY
JET 2C	70 x 55 x H45 cm	70 Kg	40L	SINGLE PHASE
JET 3C	95 x 70 x H45 cm	70 Kg	75L	SINGLE PHASE
JET 4C	120 x 80 x H45 cm	70 Kg	90L	SINGLE PHASE

**ATA GLANCE**

- VERSION** C (pressure 8 bar, heating up to 60°C)
- TANK QUANTITY** Single tank
- SPRAY WASHING**
- CONTROLS** Electromechanical
- AREAS OF APPLICATION** Maintenance, mould washing, mechanical / aerospace industry, graphic industry & paint factories, electronics / chemicals industry, pharmaceutical industry

**FEATURES**

- Requires compressed air
- Hatch closure assisted with gas springs and fastening hook
- Black latex gloves 660 mm long
- Tank border gasket
- Structure and sheet metal in contact with liquid in Aisi 304 stainless steel
- Special washing nozzle with jet under pressure and non-slip grip
- Safety limit switch on cover opening
- Pedal-controlled washing action
- Adjustable feet for height and stability
- Closing hatch with hoses and tempered glass
- Compressed air blowing gun
- Manually adjustable washing pressure
- Internal welding bleaching
- Intake and delivery pump hose (easy maintenance)
- Special ergonomic washing brush
- Drain valves for emptying tanks
- Manual valve for surface liquid drain (whole oil)



TECHNICAL DATA	JET 2C	JET 3C	JET 4C
Load capacity	70 kg	70 kg	70 kg
Tank 1 capacity	40 lt	75 lt	90 lt
Pump 1	Nozzle 5 bar 2 lt/min Brush 2 bar 5 lt/min	Nozzle 5 bar 2 lt/min Brush 2 bar 5 lt/min	Nozzle 5 bar 2 lt/min Brush 2 bar 5 lt/min
Power supply	Single phase	Single phase	Single phase

DIMENSIONS & LAYOUT			
Width	95 cm	120 cm	145 cm
Depth with opened machine	66 cm	85 cm	95 cm
Height with opened machine	98 cm	111 cm	120 cm
Working diameter	160 cm	160 cm	160 cm
Washing height	170 cm	180 cm	190 cm
Loading height	70 x 55 cm	95 x 70 cm	120 x 80 cm
Tank width	45 cm	45 cm	45 cm
Tank depth	100 cm	100 cm	100 cm
Opening angle	60°	60°	60°
Weight	75 kg	105 kg	111 kg
Noise LT	75 dBa	75 dBa	75 dBa

- ACCESSORIES**
- Stainless steel cartridge filter (10/25/50 micron)
  - Immersed magnet for separation of ferritic or grinding powder
  - Heating start-up weekly programmer
  - Heating with external resistances, not in contact with the liquid
  - Machine equipped with wheels for handling
  - Increased loading capacity to 150 kg



**ULTRASONIC** | Precision cleaning for small & medium sized parts

This new range of Ultrasonic machines is designed for cleaning small to medium-sized parts. They come equipped with a powerful microprocessor and specially created software which allows you to independently select the best cleaning programme for the parts being washed. This is based on temperature, number of parts and volume of fluid.

A manual potentiometer on the controls allows a "sweep setting". This means that you can adjust the frequency modulation from 100 to 300 Hz, increasing the cleaning performance by "breaking" the stationary waves created inside the tank.

**ULTRASONIC CLEANING FOR PARTS WITH COMPLEX GEOMETRIES**

MODELS	WASHING CAPACITY	BASKET LOAD CAPACITY	TANK	ULTRASONIC POWER
ULTRA 25	35 x 25 x H30 cm	20 Kg	25L	950W - 26 kHz
ULTRA 50	50 x 25 x H40 cm	25 Kg	50L	1200W - 26 kHz
ULTRA 90	54 x 40 x H43 cm	25 Kg	90L	1800W - 26 kHz



**ATA GLANCE**

- VERSION** C (pressure 8 bar, heating up to 60°C)
- TANK QUANTITY** Single tank
- ULTRASONIC CLEANING**
- CONTROLS** Electromechanical
- AREAS OF APPLICATION** Maintenance, automotive / motorcycle, mould washing, mechanical / aerospace industry, graphic industry and paint factories, electronics / chemicals industry, pharmaceutical industry

**FEATURES**

- ▷ Alsi 304 stainless steel structure
- ▷ IP65 electrical cabinet with electromechanical controls
- ▷ Stainless steel electric heater
- ▷ Whitening of internal weldings
- ▷ Stainless steel perforated sheet metal basket

**LIQUIDS** | Low foaming liquids formulated for HOTWASH

**LOW FOAMING, NON HAZARDOUS CLEANER**

Our aim is to help companies reduce the use of harsh chemicals in their cleaning processes, safeguarding the health and safety of staff and customers, whilst lowering their impact on the environment and controlling costs. HOTWASH LF is a low foaming, VOC-free liquid that has been specifically formulated for use in the HOTWASHER series, for powerful cleaning with controlled costs, a significantly reduced waste chain and improvements for staff health and wellbeing.



**SURFACE TREATMENT**

We not only provide the best machines for our customers' parts cleaning requirements, we take care of the whole surface treatment process. Our range of aqueous solutions are compatible in terms of material suitability with the machine's gaskets, tin-plates, seals and pumps and fully compliant with operator safety standards.

<b>APPLICATION</b>	Versatile alkaline multi-purpose degreaser
<b>FEATURES &amp; BENEFITS</b>	<ul style="list-style-type: none"> <li>▷ Leaves surfaces clean and oil free</li> <li>▷ Quick break</li> <li>▷ Low foam</li> <li>▷ Rust inhibited</li> <li>▷ Separator friendly</li> <li>▷ Offers no hazard to painted surfaces, acrylics, non-ferrous metals &amp; soft sealants</li> <li>▷ VOC free</li> <li>▷ Biodegradable</li> </ul>
<b>DILUTION</b>	10:1 Standard dilution 5:1 Heavy soiling Dilutions below 10% are not classified as hazardous
<b>SUITABLE FOR USE IN</b>	Hotwash P60 / P80 / P100 / P1200 Hotwash Spray Jet 2P / 3P / 4P Hotwash Spray Jet 2C / 3C / 4C Hotwash Ultra 25 / 50 / 90
<b>INSTRUCTIONS FOR USE</b>	Pour into relevant tank of machine, adding water first then appropriate amount of Hotwash LF. Can be used at pressures up to 10 bar
<b>PPE REQUIRED</b>	
<b>TYPICAL SIZE</b>	

**THE HOTWASHER SERIES**

Our range of stainless steel cleaning machines are designed to degrease a number of parts in a short space of time and clean components with hard to reach areas.

Our HOTWASH machines provide **AUTOMATED CLEANING** that leaves technicians free to work on other tasks, increasing workshop productivity and saving on costs.

- ▷ Multiple components washed in one cycle
- ▷ Non-hazardous degreasing
- ▷ Minimal operator involvement
- ▷ Upper, lower & side spray bars for faster total clean
- ▷ Sizes to suit any cleaning requirement

Parts are loaded manually onto the motorised stainless steel basket and the **COMBINED ACTION** of **TEMPERATURE, PRESSURE** and **CHEMICAL** action allows for the removal of oils, fats, greases as well as incrustations of any kind due to mechanical use.

Hot air accumulated during the wash cycle results in **RAPID DRYING** of the parts, providing an entirely automatic, **COST EFFECTIVE** and **SAFE** cleaning process.



**STATE OF THE ART ENGINEERING**

Our Aqueous Spray Wash Systems are designed on the latest 3D engineering software and manufactured using state of the art laser cutting, punching, bending and welding sheet metal production techniques.



**AUTOMATED, EFFICIENT CLEANING**

**"SUSTAINABILITY CAN START WITH REFURBISHED PARTS"**

**HIGH PRESSURE CLEANING WITH OPTIONAL HEAT**

**ULTRASONIC CLEANING FOR COMPLEX PARTS**



# HOTWASHER

**AQUEOUS SPRAY WASH SYSTEMS**  
OFFERING DIVERSE APPLICATIONS ACROSS INDUSTRY



**BOOK YOUR FREE  
SITE VISIT & ROZONE  
IMPROVEMENT PLAN**

Visit: [www.rozone.co.uk](http://www.rozone.co.uk)  
Email: [info@rozone.co.uk](mailto:info@rozone.co.uk)  
Call: +44 (0) 121 526 8181